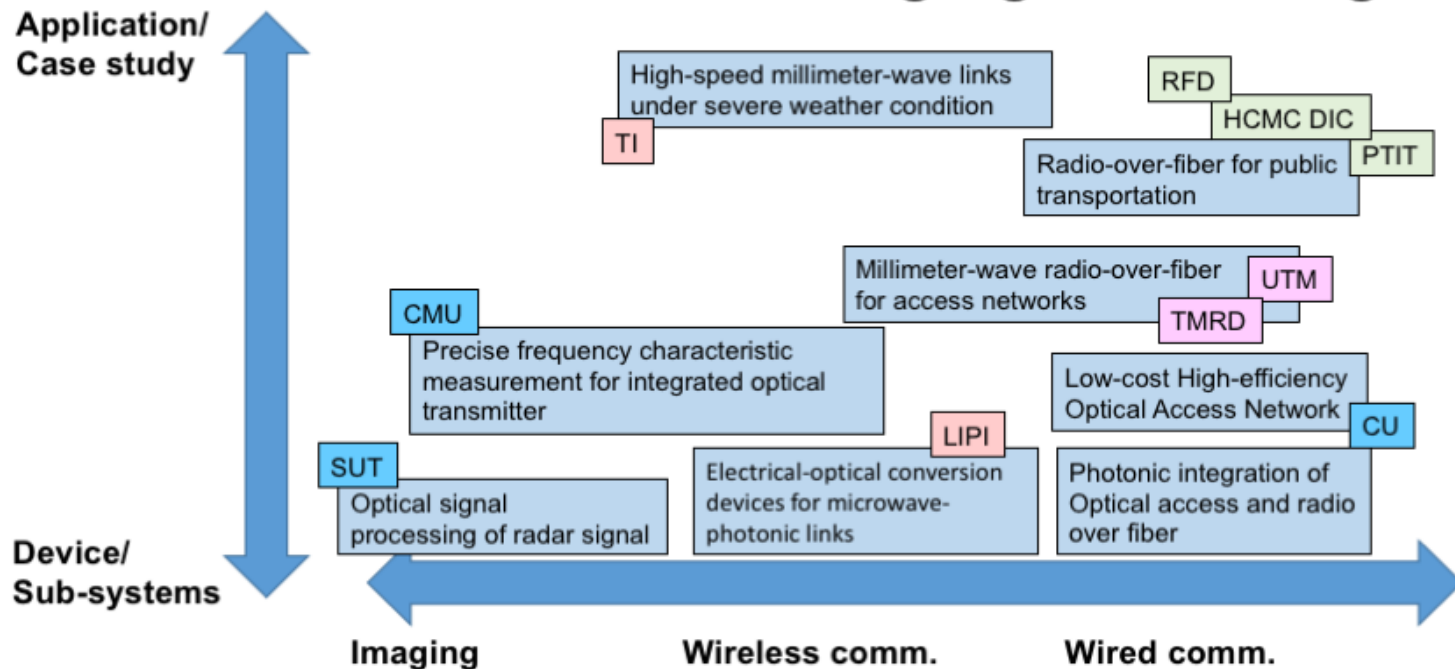


# Research and development on short distance communication and imaging for applications in ASEAN region

- ❑ **Target:** develop novel solutions for high-speed and short-distance communications, and imaging systems, and possible applications for ASEAN's counties using optical and radio solutions and their seamless convergence.

## Technology map of short-distance communication and imaging technologies



- ❑ **Members:** - Post and Telecommunications Institute of Technology (PTIT, Vietnam), HCM city Department of Information and Communications (DIC, Vietnam), Radio Frequency Department (RFD, Vietnam), Chiang Mai University (CMU, Thailand), Chulalongkorn University (CU, Thailand), Universiti Teknologi Malaysia (UTM, Malaysia), Suranaree University of Technology (SUT, Thailand), Telekom Malaysia R&D (TMRD, Malaysia), Indonesian Institute of Science (LIPI, Indonesia), Telkom Indonesia (TI, Indonesia).